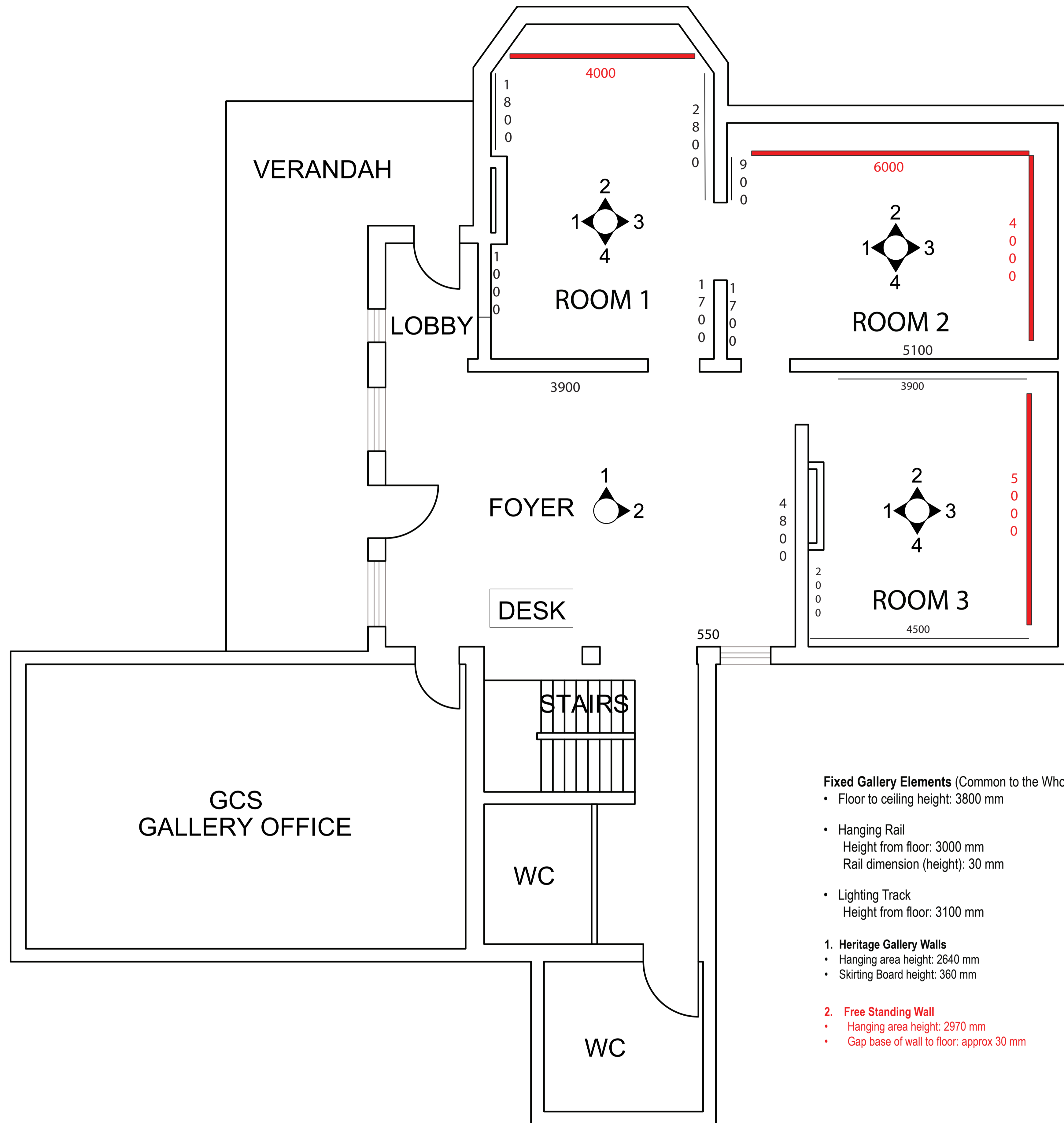


PLAN + ELEVATIONS

1:50

A1

(drawn by Hope Glover)



**Fixed Gallery Elements** (Common to the Whole Space)

- Floor to ceiling height: 3800 mm
- Hanging Rail  
Height from floor: 3000 mm  
Rail dimension (height): 30 mm
- Lighting Track  
Height from floor: 3100 mm

**1. Heritage Gallery Walls**

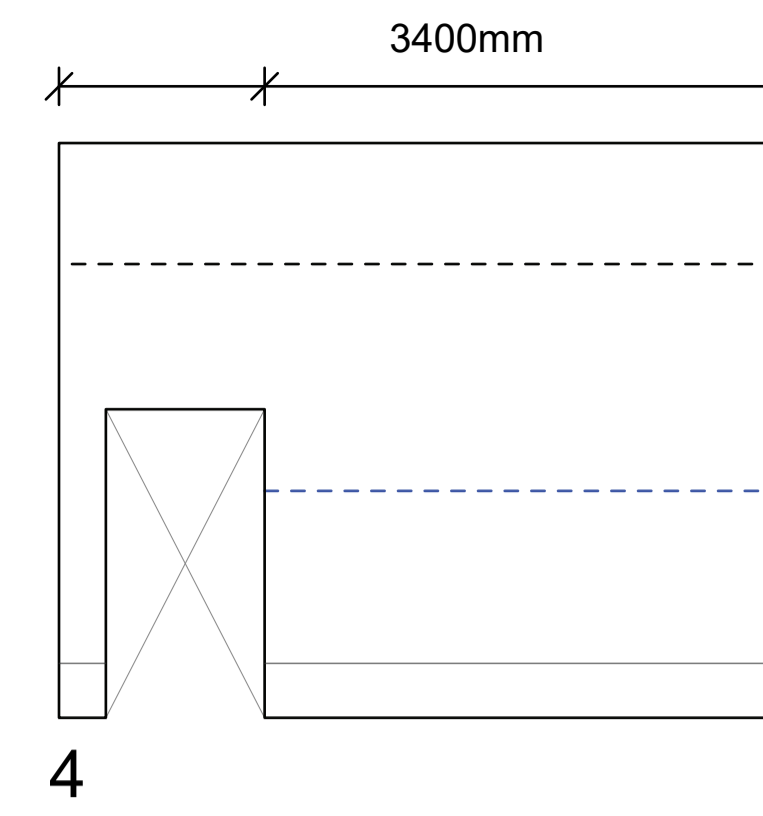
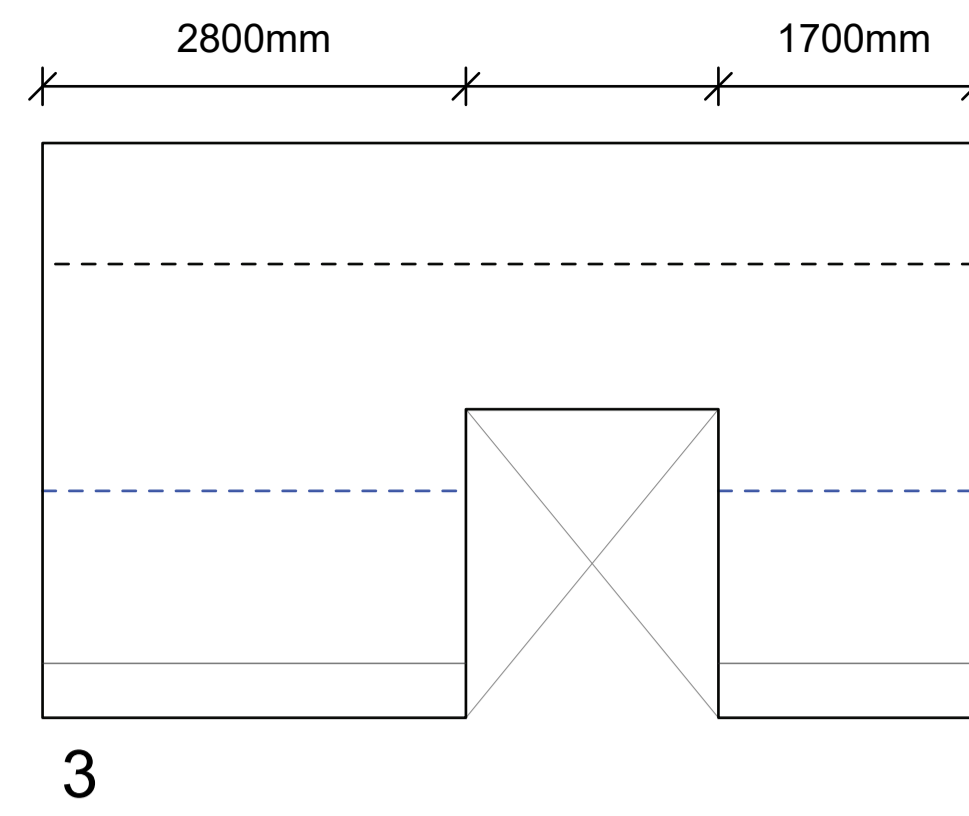
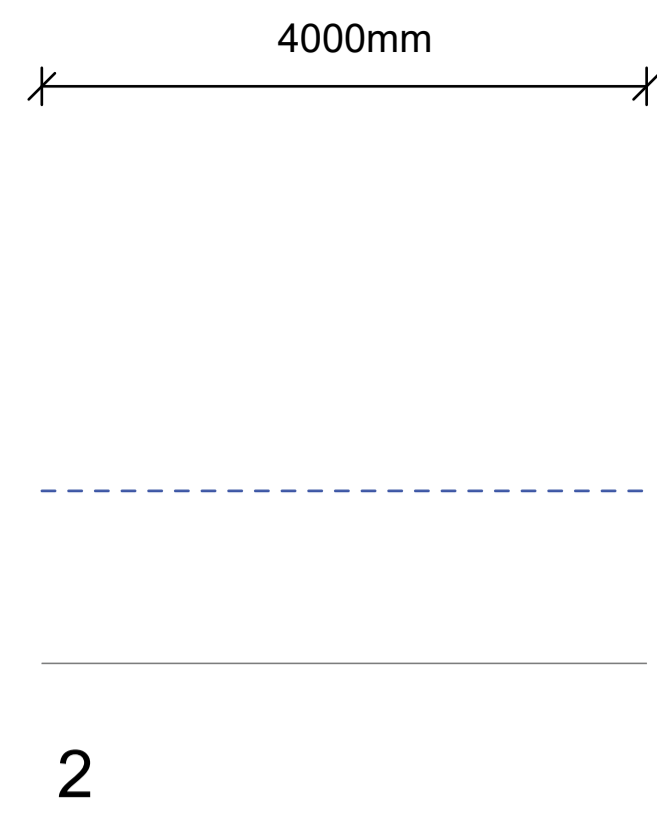
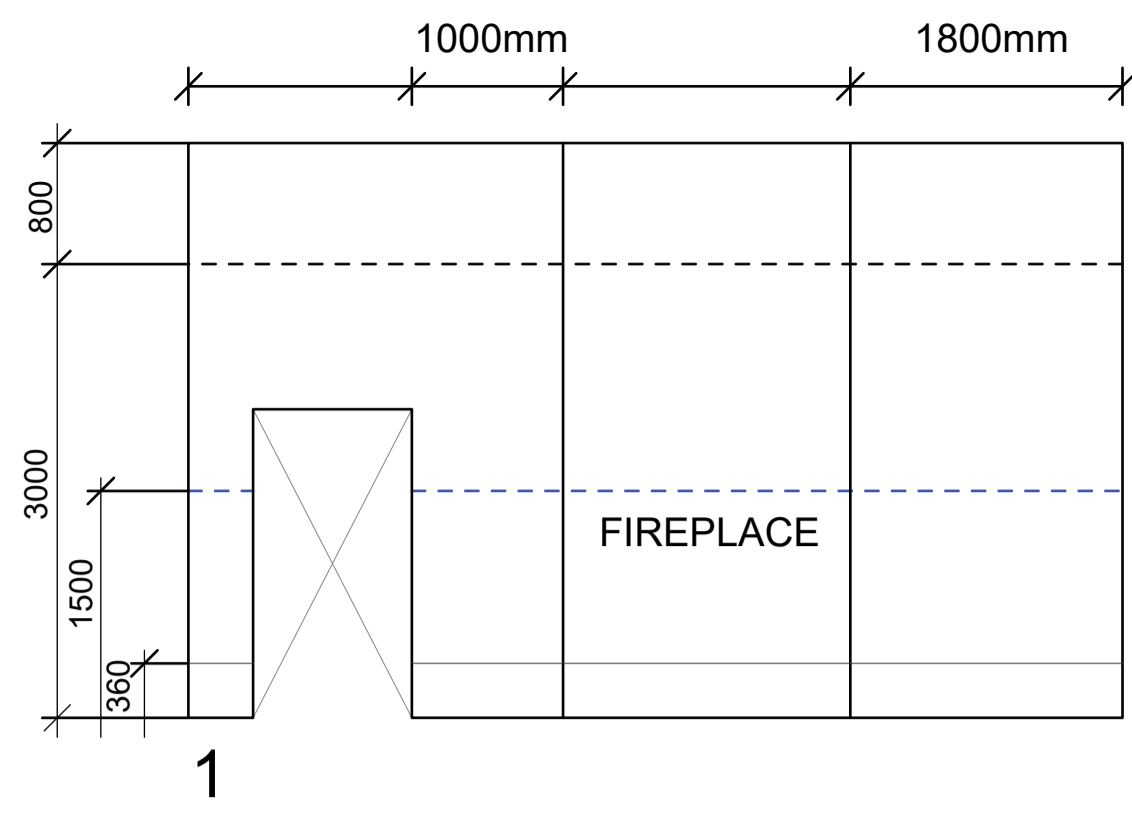
- Hanging area height: 2640 mm
- Skirting Board height: 360 mm

**2. Free Standing Wall**

- Hanging area height: 2970 mm
- Gap base of wall to floor: approx 30 mm

--- ALIGNS WITH FREE  
STANDING WALL

# ROOM 1

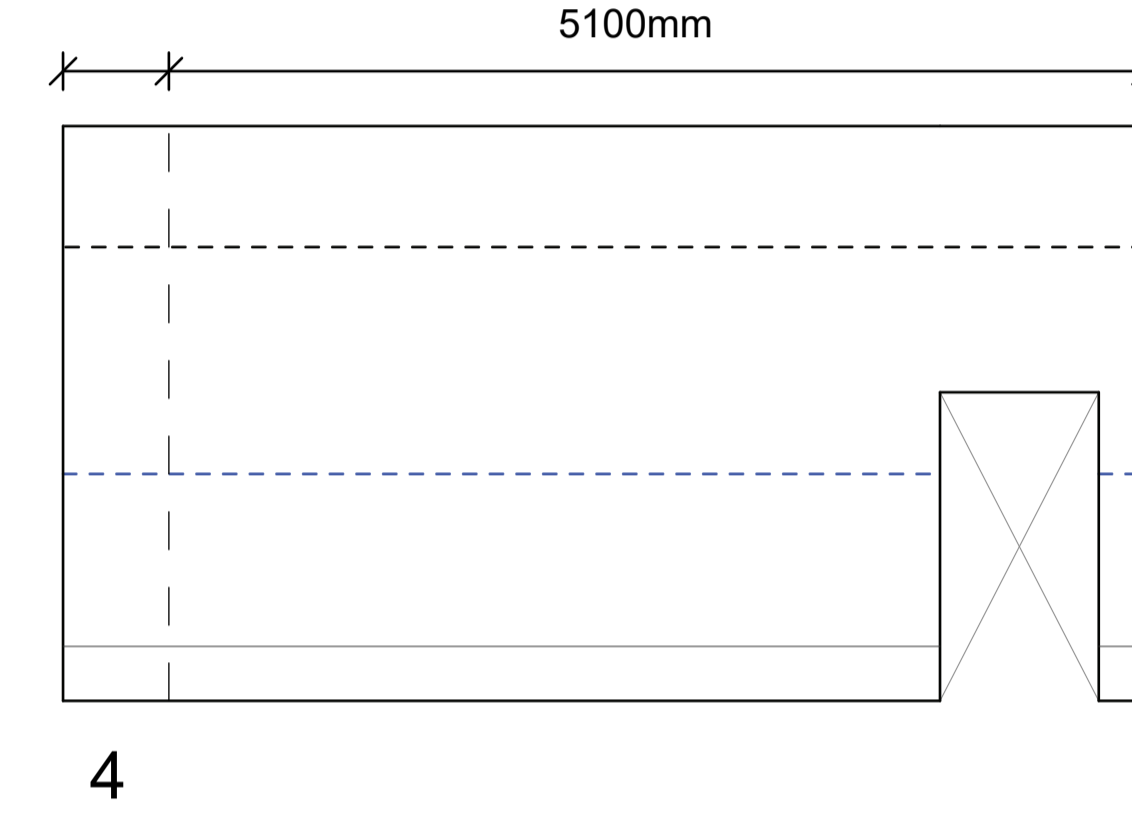
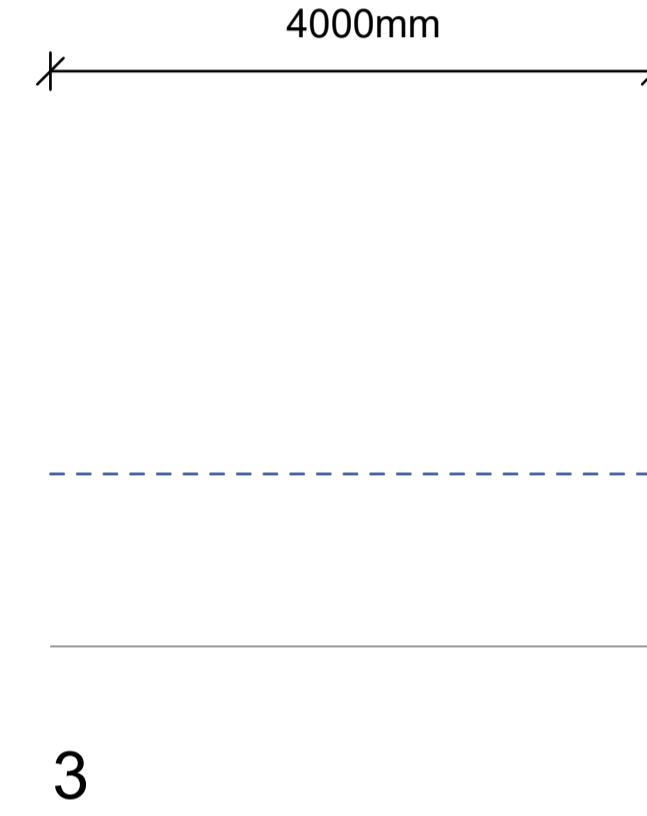
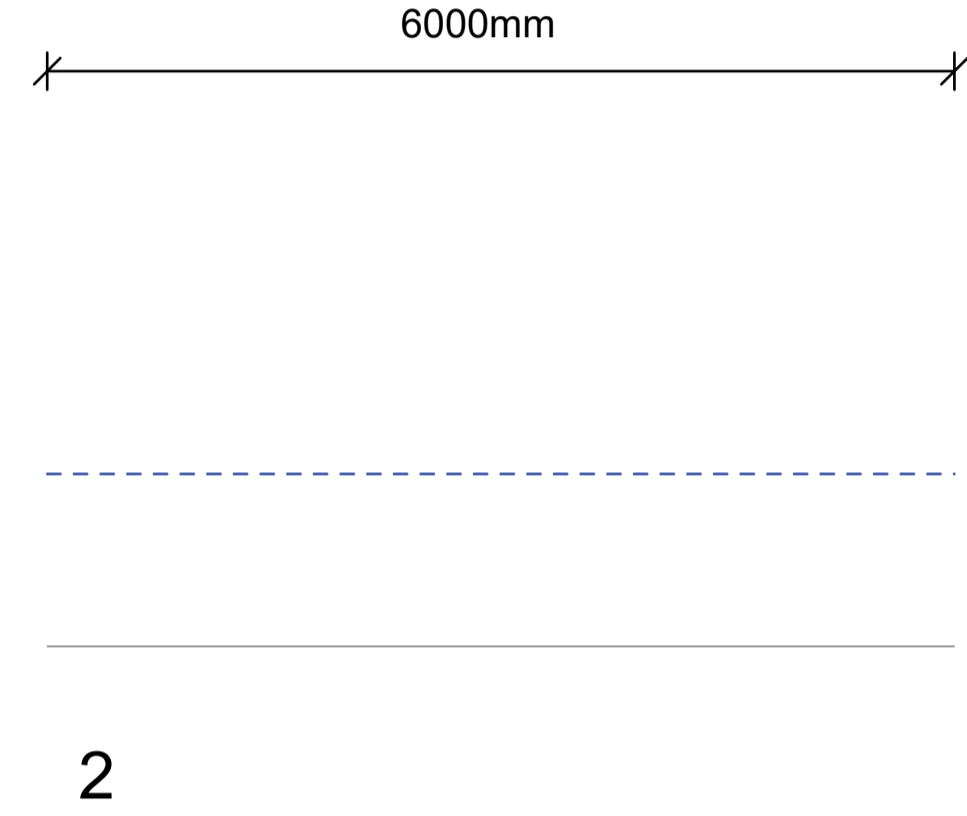
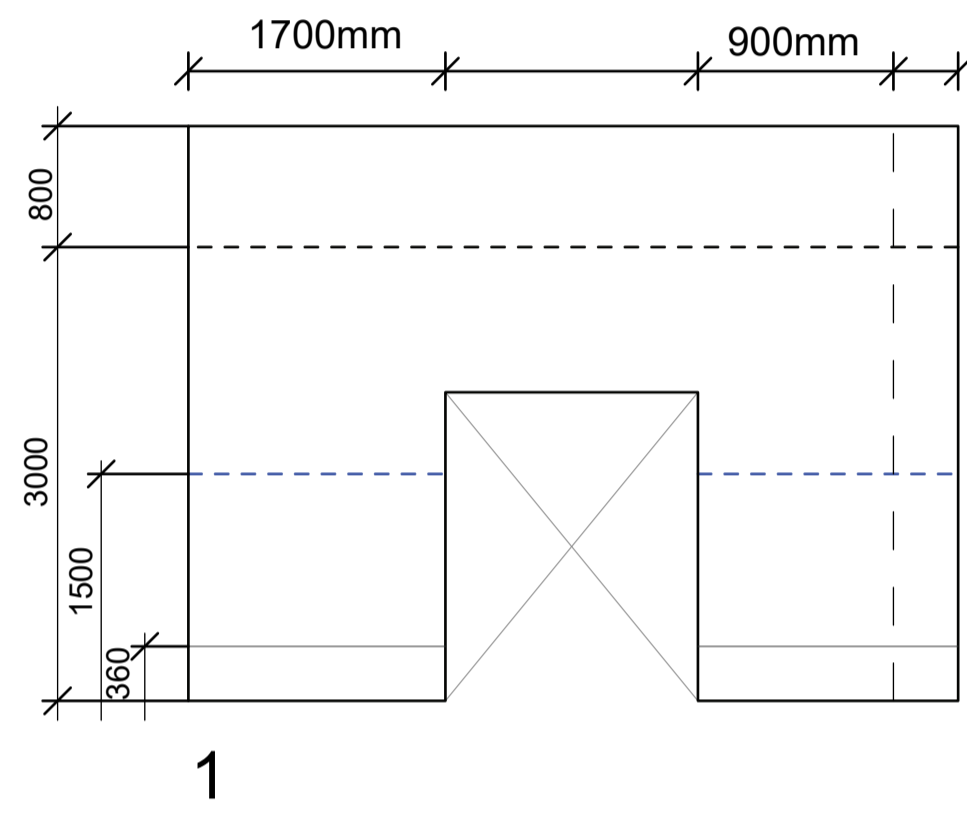


ELEVATIONS

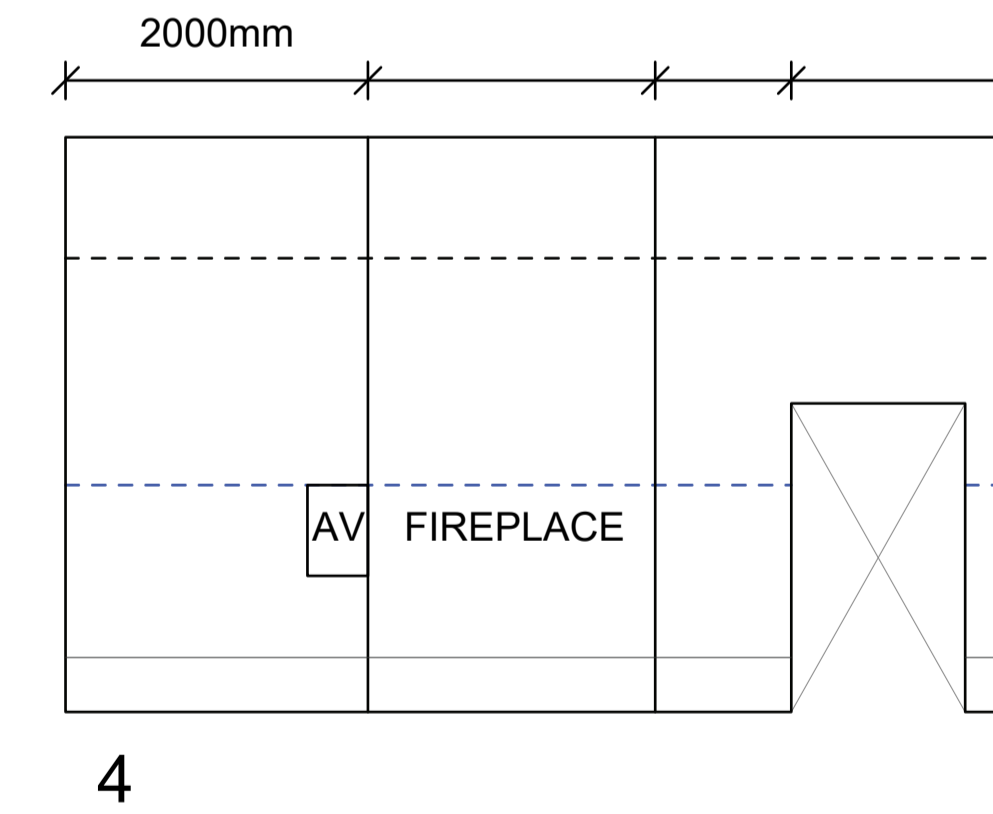
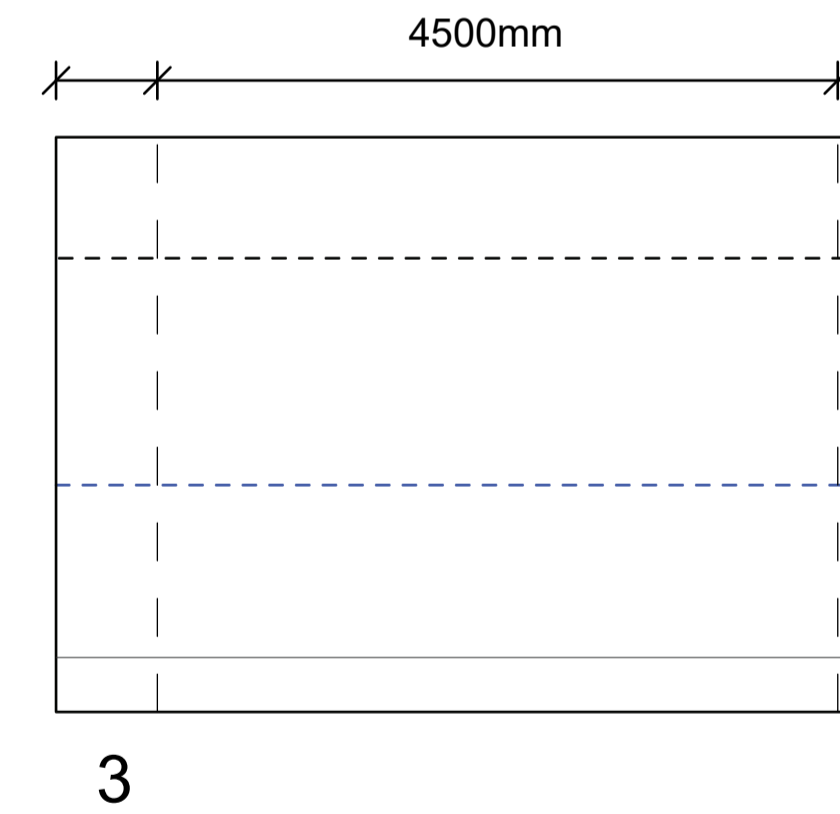
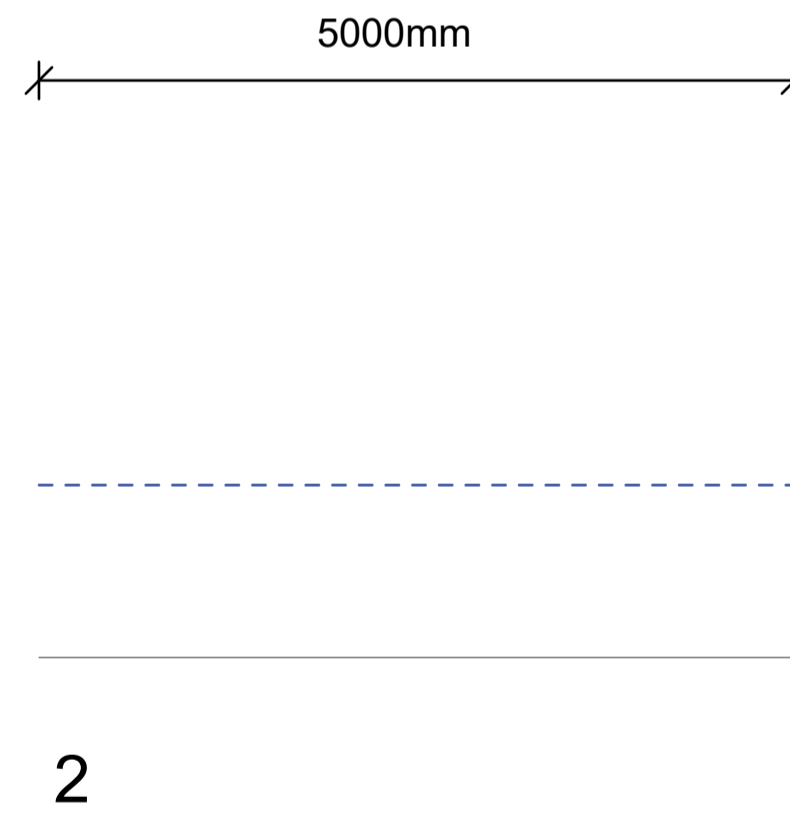
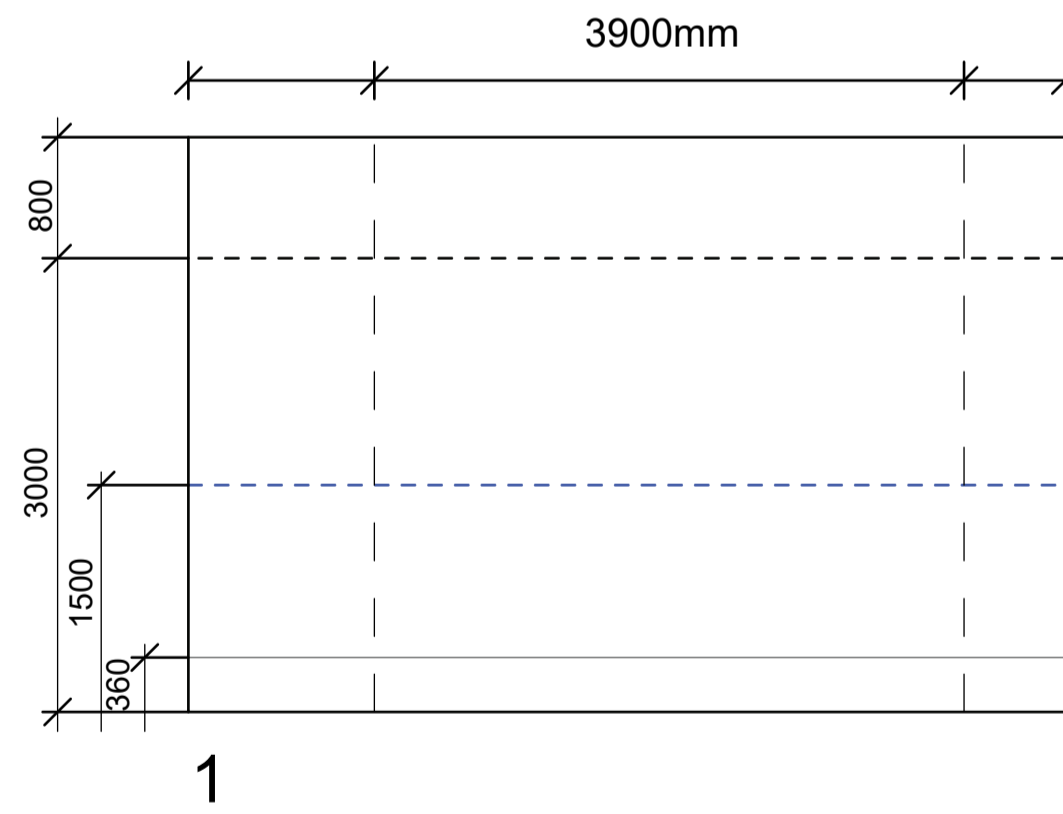
1:50

A1

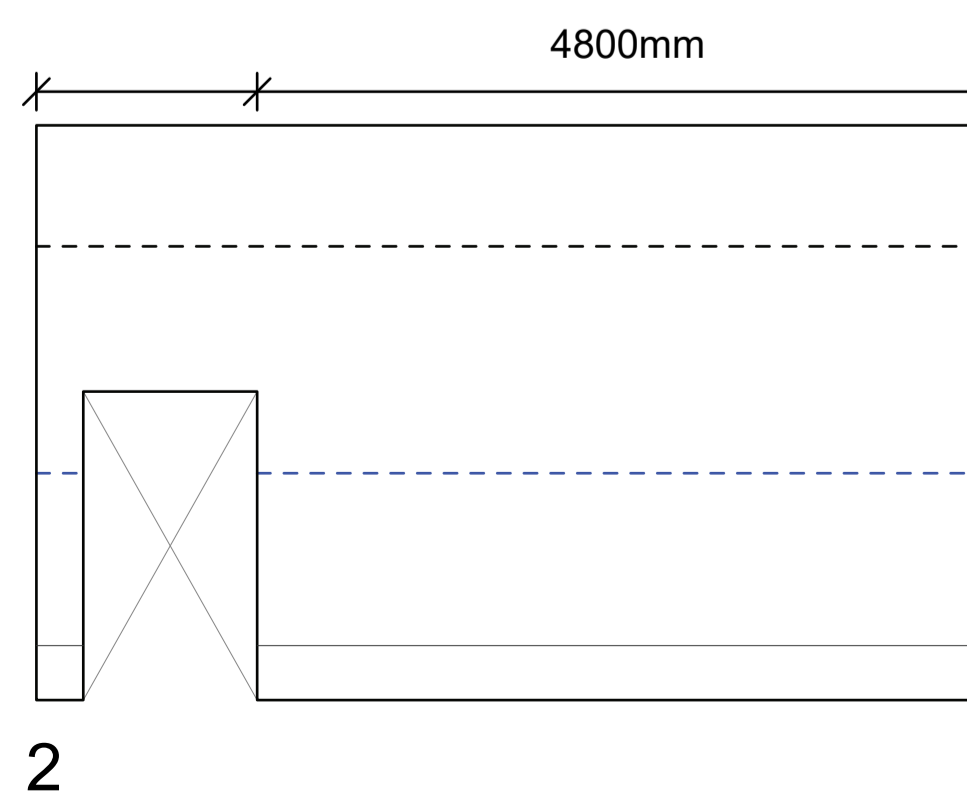
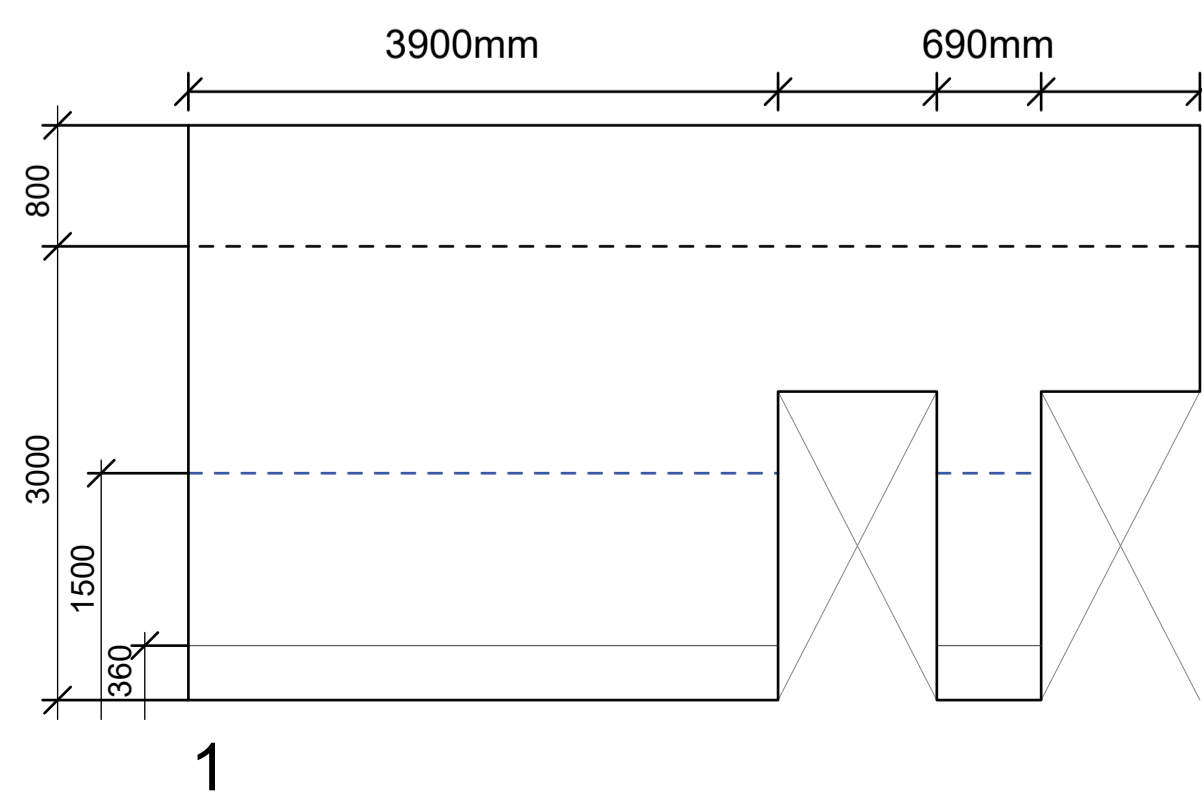
# ROOM 2



# ROOM 3



# FOYER



— 360mm Skirting

- - - 1500mm

- - - 3000mm

- - - Aligns with free standing wall